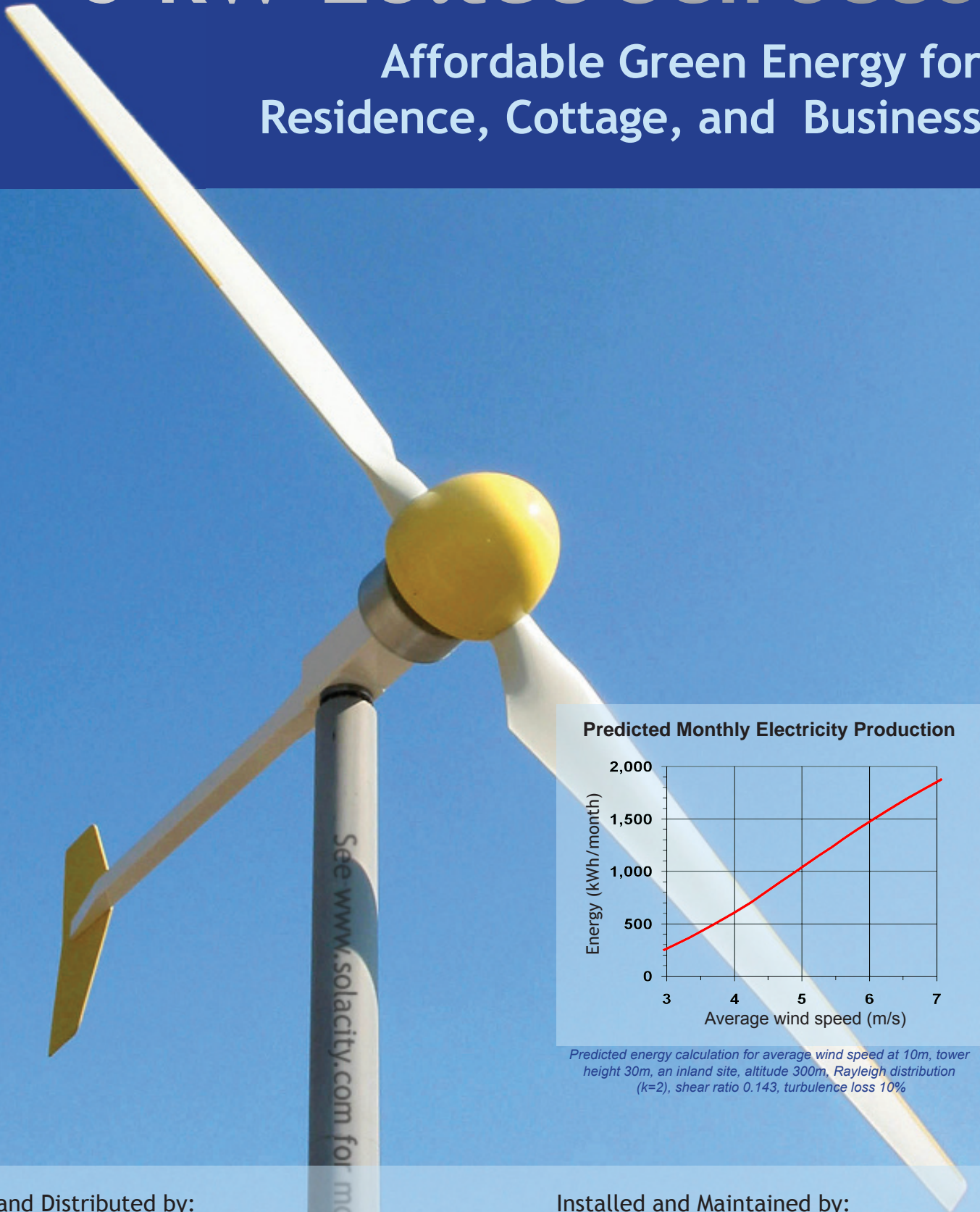
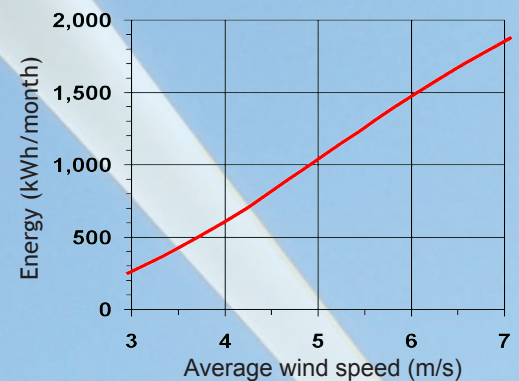


# 6 kW Eoltec Scirocco

Affordable Green Energy for  
Residence, Cottage, and Business



**Predicted Monthly Electricity Production**



*Predicted energy calculation for average wind speed at 10m, tower height 30m, an inland site, altitude 300m, Rayleigh distribution ( $k=2$ ), shear ratio 0.143, turbulence loss 10%*

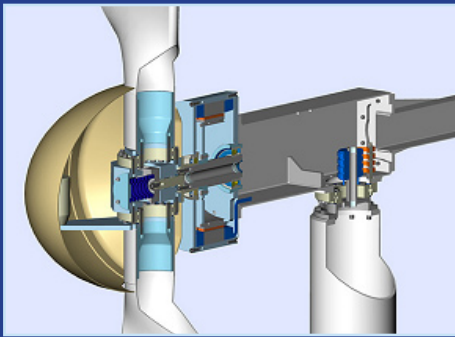
Imported and Distributed by:

**Solacity Inc.**

[www.solacity.com](http://www.solacity.com)

(613) 686-4618

Installed and Maintained by:



# Residence Grid-Tie Battery Charging Net-Metering Green Business Cottage

*Optimized for Low Winds*

*A DDH'9ZUVVYbVth*

*Mechanical Pitch Control*

*Low 245 Maximum RPM*

*Quiet*

*9i fcdYUb'FY'JUW] ]hm*

*)!MUF'K UffUbhm*

*Versatile*

Eoltec started with a blank slate and set the goal of designing an uncompromising, best-in-class wind turbine that is optimized for the low to medium wind speeds found in most places most of the time. Vjg'tguwnv"ku"vjg"8"m Y"Uektqeeq0"Eqwrfngf"ykvj"vjg";9' "rgcm"ghLekgpe{ "Maximum Power Point Tracking (MPPT) Aurora inverter, a Scirocco ykpf"vwtdkpg"igvu"vjg"o quv"gpgt i {"qvw"qh"cp{"ykp f."ykvj"cp"gzegngpv" equvlr gthqt o cpeg"tcvkq0"Kp"hcev."kv"y knn"rtqfweg"pgctn{"cu"o wej"gpgt i {"cu" its nearest 10 kW competitor, at a far better price point.

What makes the Scirocco wind turbine unique is its innovative blade rkej"eqpvtqm0"Vjg"dncfg"rkej"ku"o gejcpkecm{"ixgtpgf"uwej"vjcv"tq-vqt"TRO"uvc{"u"dgnqy"467"cv"cnm"vk o gu0"Vjku"xgt {"nqy"o czko wo "TRO" results in low blade tip speeds, less mechanical stress, and less wear. It also makes the Scirocco much quieter than other wind turbines in its class. There is no need for furling, no associated furling power loss, cpf"kvu"hwmm"8"m Y"qvwrvw"ku"cxckndng"htq"ykp f"urggfu"htq o "3307"o lu"\*62" km/h) and up.

Vjg"Uektqeeq"ku"fgukipgf"ykvj"o czko wo "tgnkcdknkv{"cpf"nqy"o ckpvgnance in mind. An annual inspection is all that is recommended. Eoltec hggnu"xgt {"eq o hqtvcndg"vq"ixkg"kv"c"hwmm"7/{gct"ycttcpv{0"

The average Canadian household uses around 1,000 kWh/month. With ocp{"rncegu"jcxkpi"cp"cxgtci g"ykp f"urggf"dgvyggp"5' ""cpf"7"o lu."c" Uektqeeq"ykp f"vwtdkpg"ecp"rtqfweg"62' "/322' "qh"cj qwugjqnf0"gnge-trical needs. This makes the Scirocco the perfect renewable solution for itkf/vkg"pgv/ogvgtkpi"qt"qhh/itkf"dcwgt{"ejctikpi."tgukfgpvkcn"qt"eqwci g" kpucmcvkqpu."tg o qvg"y cvgt"rw o rkp i."qt"vq"i tggp"wr {"qwt"dwukpguu"ykvj" c"ewuvq o gt/cwtcevki"ykp f"vwtdkpg"cv" {qwt"uvqtghtqp0"

Rated output power	8"m Y"cv"3307"o lu"*62"m o l j+." o gcuwtgf"chvgt"kp xgtvgt
Cut-in / survival wind speed	409"o lu"*;09"m o l j+"1"82"o lu"*437"m o l j+
Rotor diameter / swept area	708"o "1"4608"o 4"*3:06"hv"1"487"hv <sup>2</sup> )
Blades	4"Edgt incuu/grqz {"dncfgu."cnw o kpw o "tqqv"kpugtvu
Power and overspeed regulation	Centrifugal pitch regulator, stalls blades to limit rotational speed
Brake	F {pc o ke"dtcmg."qrvkqpcn"vqygt"dcug"htqegf"dncfg"uvcnn"dtcmg
Rotational speed / tip speed	:2"/"467"TRO"1"45"/"92"o lu
Alternator	807"m Y" fktgevf/ftkxg"rgt o cpgpv"o ci pgv."462"Xqnv."5/r jcvg"y knf"CE
Tower top weight / horizontal thrust	424"mi "*672"ndu+"1"7722"Pg y vqp"*3422"ndu+"cv"82"o lu
Maintenance	Annual inspection and lubrication
Ycttcpv{	7" {gctu