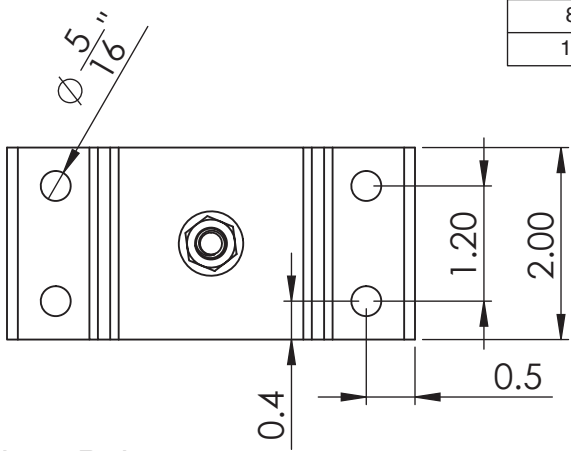
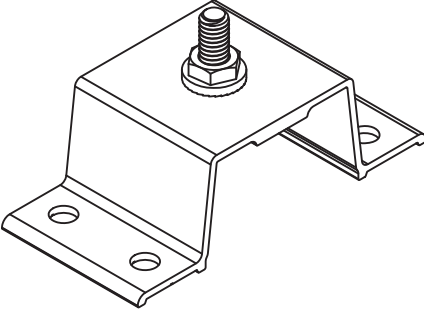
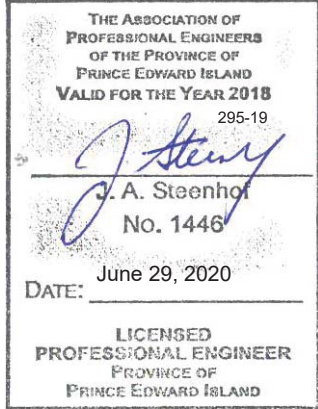
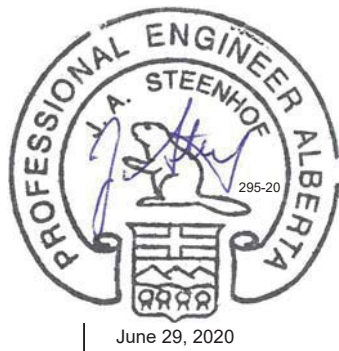


2

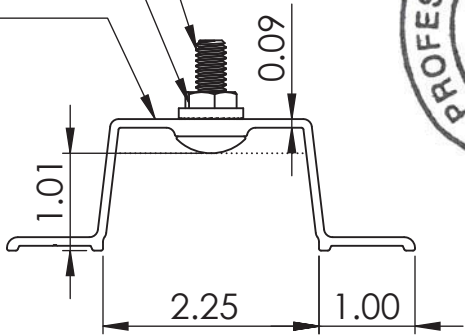
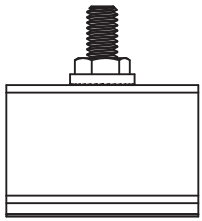
1

Roof Pitch	Max Roof Loads
Flat	3500 Pa , 73.1 psf (Unfactored)
4:12	3700 Pa , 77.3 psf (Unfactored)
8:12	4200 Pa , 87.7 psf (Unfactored)
12:12	4600 Pa , 96 psf (Unfactored)

- Structural Notes:**
- Design according to CAN/CSA S-157 Strength Design in Aluminum.
  - Loads assessed based on load combinations and load factors in National Building Code of Canada (NBCC) 2015.
  - Unfactored design loads based on Kinetic Solar Installation Guide, Page 22 Table 9.1.1.1.
  - Contractor to follow manufacturer's instructions for installation.
  - A minimum of two bolts shall be installed in a structural roof element along a bolt row. The remaining two bolts can be installed into the sheathing.
  - See load table for maximum loading based on roof pitch.
  - Minimum bolt size 1/4" x 1 1/2" Self Drilling Screw



Stainless Steel Carriage Bolt  
 Stainless Steel Serrated Flange Nut  
 Location of Kinetic L-Bracket  
 (2" / 3" / 4" / 5")



**PROPRIETARY AND CONFIDENTIAL**  
 THE INFORMATION CONTAINED IN THIS DRAWING IS THE SOLE PROPERTY OF Kinetic Solar. ANY REPRODUCTION IN PART OR AS A WHOLE WITHOUT THE WRITTEN PERMISSION OF Kinetic Solar IS PROHIBITED.

UNLESS OTHERWISE SPECIFIED:		NAME	DATE
DIMENSIONS ARE IN INCHES		DRAWN	
TOLERANCES:		CHECKED	
FRACTIONAL ±		ENG APPR.	
ANGULAR: MACH ± BEND ±		MFG APPR.	
TWO PLACE DECIMAL ±		Q.A.	
THREE PLACE DECIMAL ±		COMMENTS:	
INTERPRET GEOMETRIC TOLERANCING PER:			
MATERIAL			
6 Series Aluminum			
FINISH			
NEXT ASSY	USED ON		
APPLICATION			
DO NOT SCALE DRAWING			

TITLE:		
Rhino Mount		
SIZE	DWG. NO.	REV
A	KHRT-M	
SCALE: 1:2	WEIGHT:	SHEET 1 OF 1

B

B

A

A

2

1