



FLAT JACK[®]

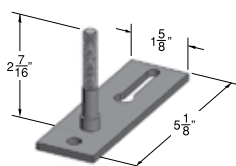
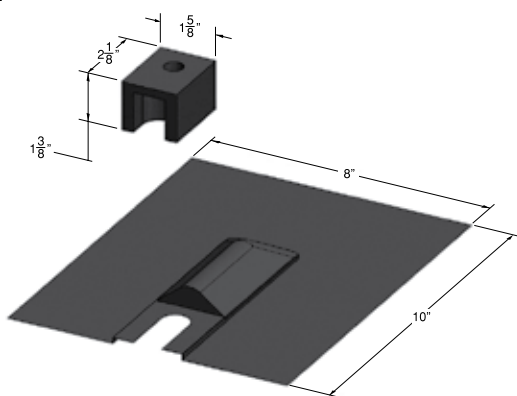
Flashed Composition Roof Bracket

ICC CERTIFIED:

The TTI Flat Jack is the first solar roof mounting bracket certified by the International Code Council.



Flat Jack[®] composition shingle roof mounts are a low-profile, fully flashed mounting bracket for solar panel and other rooftop equipment installation. This mounting system provides positive water proofing, eliminating the need for sealants.



Order Flat Jacks
on-line at
www.ttisolar.com

- Designed for mounting on pitched composite shingle roofs
- Full flashing over roof penetrations
- Quick and simple installation. Up to 25% faster than standard mounts
- Wind resistant to 130 MPH at IBC Exposure D
- 30% less expensive than competitive brackets
- First PV roof bracket to be ICC certified.
- Extremely durable stainless steel bracket
- All-weather galvanized steel with black powder coat finish
- Minimal or no shingle cutting required
- Can also be used to mount antennas, solar thermal, flagpoles, air conditioners, etc.
- Compatible with all common PV rail systems.
- Patent Pending

FREQUENTLY ASKED QUESTIONS

Q: Can I use the Flat Jack® on any type of roof?

A: The Flat Jack is specifically designed for use on composition shingle roof surfaces with a minimum and maximum slopes of 2:12 and 24:12 pitch.

Q: Do I need to use any sealants?

A: No special sealants are required when the Flat Jack is properly installed.

Q: What can attach to the bracket?

A: Although the Flat Jack is engineered for PV solar panel installation, anything that can attach to the 3/8-16 threaded stud can be mounted using the bracket. Most standard PV rail systems work well. Common installation applications include solar PV, solar hot water, antennas, flag poles and air conditioning units.

Q: Where can I buy the Flat Jack?

A: The Flat Jack is only sold through TTI Inc. It can easily be ordered online at www.ttisolar.com/products/flatjack or by calling 415-446-0103.

Q: What type of lag bolts are required?

A: The choice of lag bolts is entirely up to the installer depending on the roof structure and the location of the installation. TTI suggests using stainless steel lags; although, hot dip galvanized lags are acceptable.

Q: What is the flashing and bracket made of?

A: The bracket, washers and nut are stainless steel. The flashing is heavy gauge galvanized steel, powder coated with a black all-weather finish.

Q: What is ICC certified?

A: The International Code Council is an international engineering standard. The Flat Jacks are the first PV bracket to pass this rigorous materials, waterproofing and performance evaluation. For more information visit www.icc-es.org/reports/pdf_files/ICC-ES/ESR-1999.pdf

“We pride ourselves on quality, aesthetics and performance. Using TTI Flat Jack and Flush Mount products gives us that edge. The biggest advantage is peace of mind from roof leaks with the TTI Flat Jack flashing System.”

— Roy Phillips, Real Goods/Marin Solar



www.ttisolar.com

Thompson Technology Industries, Inc.
20 Leveroni Court, Novato, CA 94949

Tel: 415.446.0103

Fax: 415.883.7915

Email: info@ttisolar.com

© 2010

